

Technical data sheet

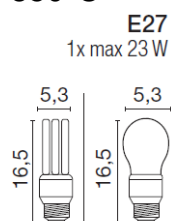
All right reserved Landa illuminotecnica S.p.A.
will reserve to change the specific note without
any written notice.

LANDA[®]
illuminotecnica

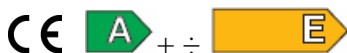
Polos

Article 4022.035
Product type: bollard
Body material: Die-casting aluminium EN47100 LCU and extruded aluminium EN AW6060, prior the painting process, washed with stones. Painting made by polyester powder with high resistant against oxidation.
Transparent polycarbonate UV protection
Reflector in steel painted
Screws in A2 stainless steel

IK07
IP65
850°C



Bulb not included



Colours available:

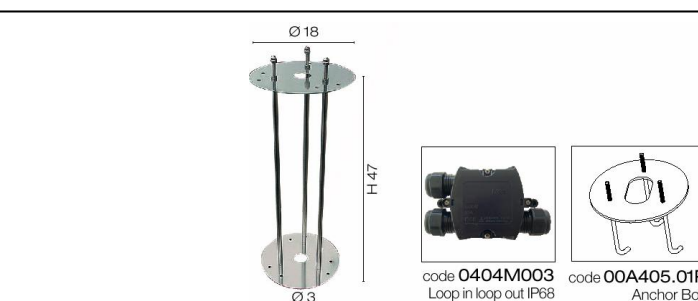
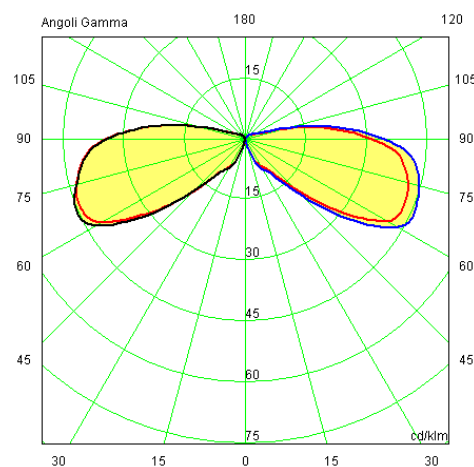
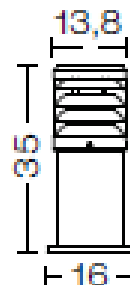
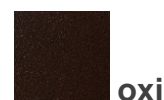
Graphite



Metalgrey



Oxide



Accessories:

Code: 00A405